



### BSPOD175

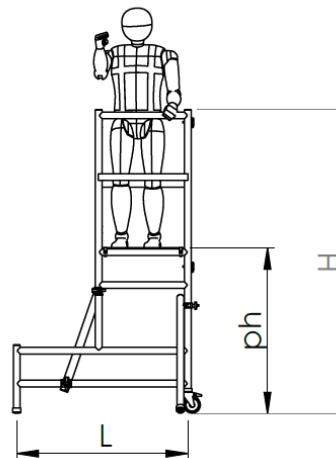
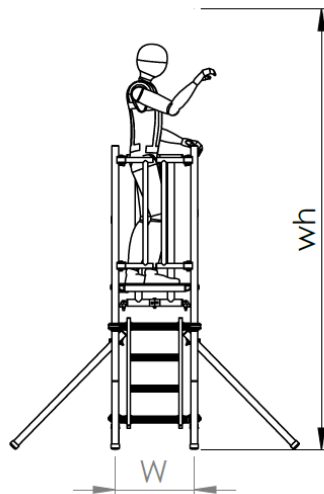
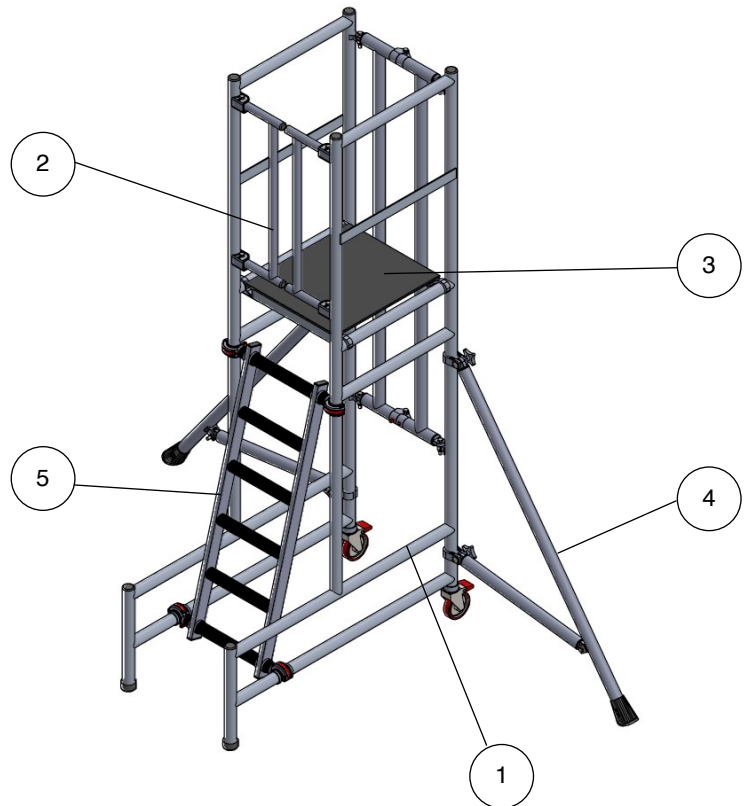
**BS 8620 Podium**  
(H)2.76 X (L)1.37m X (W)0.65m

**Working Height**  
3.75m

**Platform Height**  
1.75m

#### Tower Components

Item	Description	Quantity
1	Podium Mainframe	1
2	Self Closing Gates	1
3	Platform	1
4	Stabilisers	2
5	Ladder	1
6	Instruction Manual	1



#### Technical information:

Open Dimensions:	(H)2.76 X (L)1.37m X (W)0.65m	
Storage Dimensions:	(H)2.76 X (L)1.37m X (W)0.26m	
Platform Dimensions:	0.6m X 0.53m	
Platform Height (ph):	1.5m	1.75m
Working Height (wh):	3.5m	3.75m
Maximum Working Load:	150kg	
Weight:	45kg	