



BSPOD125

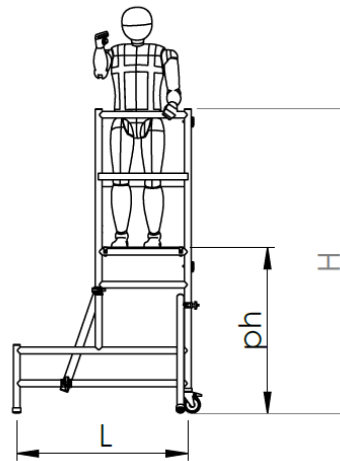
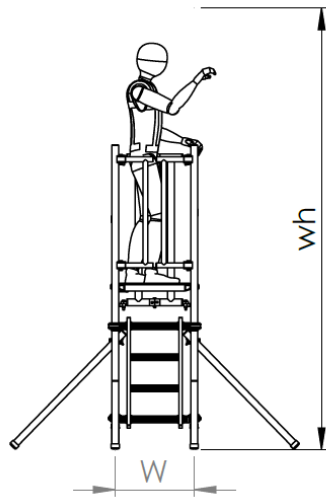
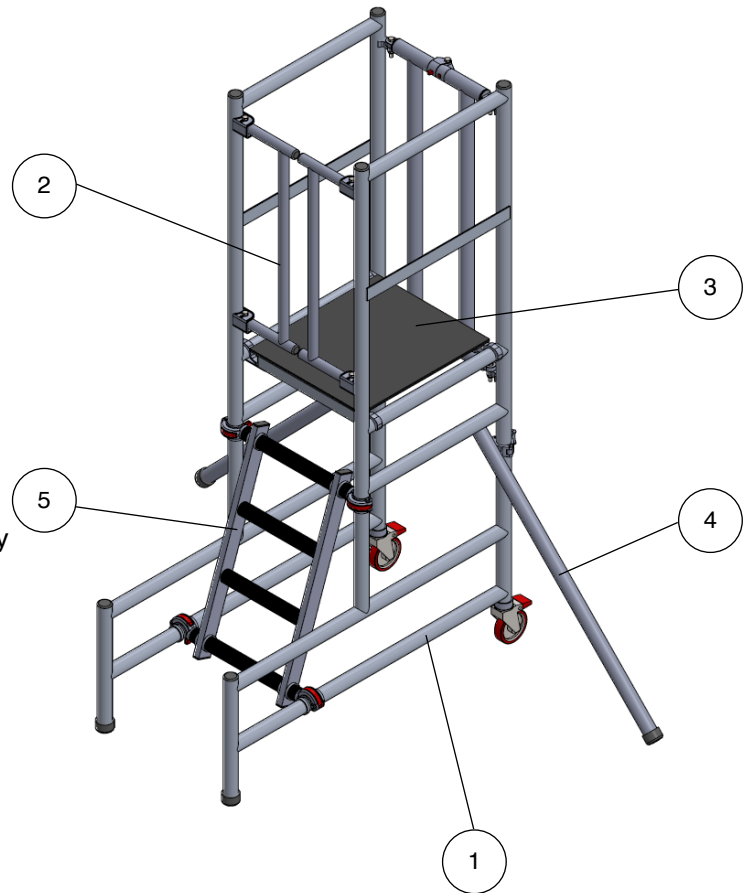
BS 8620 Podium
(H)2.26 X (L)1.37m X (W)0.65m

Working Height
3.25m

Platform Height
1.25m

Tower Components

Item	Description	Quantity
1	Podium Mainframe	1
2	Self Closing Gates	1
3	Platform	1
4	Stabilisers	2
5	Ladder	1
6	Instruction Manual	1



Technical information:

Open Dimensions:	(H)2.26 X (L)1.37m X (W)0.65m	
Storage Dimensions:	(H)2.26 X (L)1.37m X (W)0.26m	
Platform Dimensions:	0.6m X 0.53m	
Platform Height (ph):	1.0m	1.25m
Working Height (wh):	3.0m	3.25m
Maximum Working Load:	150kg	
Weight:	35kg	